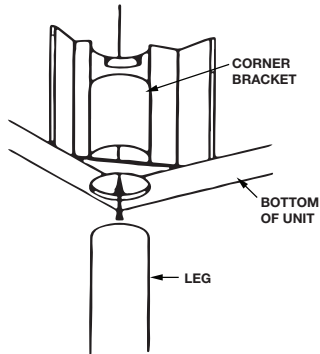




Installing Leg in Corner Bracket



1. Insert the leg into the hole until the leg stops.
2. Hold the top of the leg, pull toward the leg corner and twist with a downward pressure. It is important for the leg to go into the second pass or damage will occur.
3. Tap the top of the leg lightly until the leg reaches the bottom of the bracket. **Do not use excessive force.**

NOTE: When the leg is properly installed, 18" of leg will protrude (without the bullet foot).

**THE KROWNE TRICON LEG ASSEMBLY IS ONE OF THE
FINEST IN THE INDUSTRY**