



Model No. MS-1818 & MS-2424

Floor Mounted Mop Sink

Installation Instructions



Detail

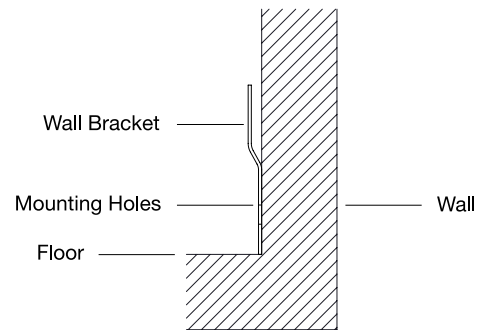
- 20 gauge 304 stainless steel construction
- Easy Installation

Includes

- Floor Mounted Mop Sink
- Mounting Bracket
- Drain Assembly

Instructions

1. Install Mounting Bracket to wall with mounting holes on the bottom with the bottom edge of the bracket at floor level as shown in the drawing to the right.
2. Install Drain Assembly to Mop Sink without installing the Rubber Gland, Compression Nut, or Strainer Plate yet
3. Fit Mop Sink over 2" IPS pipe stub while fitting rear strap onto Mounting Bracket. 2" IPS pipe stub must protrude 3" from floor and x" from the wall



Model	x = Inch's from the Wall
MS-1818	9"
MS-2424	12"

4. Insert Rubber Gland over 2" IPS pipe stub (may use liquid soap for easier installation)
5. Thread Compression Nut over Rubber Gland into drain body. Use Drain Key and flat screw driver to tighten Compression Nut to tightly seal Rubber Gland and IPS pipe stub.
6. Remove Drain Key and install Strainer Plate to the top of the drain

